



## LED Downlight US

### Features

- Extra Bright
- Comfortable Light
- Easy to Use
- Energy Saving

### Benefits

- High system efficacy up to 85 lm/W
- Light without flicker reduces stress while working/living underneath
- Spring bracket ensure 1 step plug-and-play installation
- Up to 85% energy saving compared with 35W&50W halogen spot, perfect choice to replace traditional spot lamp

### Application



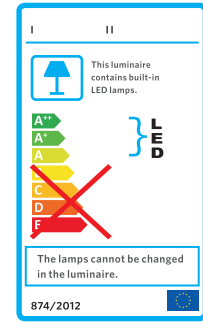
### Specification

Item Code	Item Description	Power (W)	Power Factor	Lumen (lm)	Efficacy (lm/W)	Input Current (mA)	Lifetime (L70B50)	MOQ (pcs)
541003072300	LEDDownlightRc-US R70-4W-3000-WH-GP	4	0.5	230	57.5	32	20000	1800
541003072000	LEDDownlightRc-US R70-4W-4000-WH-GP	4	0.5	250	62.5	32	20000	1800
540001151700	LEDDownlightRc-US R70-4W-6500-WH-GP	4	0.5	250	62.5	32	20000	1800
541003071900	LEDDownlightRc-US R85-6W-3000-WH-GP	6	0.5	400	66.7	49	20000	1800
541003072200	LEDDownlightRc-US R85-6W-4000-WH-GP	6	0.5	450	75	49	20000	1800
540001152000	LEDDownlightRc-US R85-6W-6500-WH-GP	6	0.5	450	75	49	20000	1800
540001066410	LEDDownlightRc-US R125-9W-3000-WH-GP	9	0.5	720	80	75	20000	1200
540001066510	LEDDownlightRc-US R125-9W-4000-WH-GP	9	0.5	765	85	75	20000	1200
540001151900	LEDDownlightRc-US R125-9W-6500-WH-GP	9	0.5	765	85	75	20000	1200
540001066710	LEDDownlightRc-US R150-12W-3000-WH-GP	12	0.5	960	80	105	20000	1200
540001066810	LEDDownlightRc-US R150-12W-4000-WH-GP	12	0.5	1020	85	105	20000	1200
540001151800	LEDDownlightRc-US R150-12W-6500-WH-GP	12	0.5	1020	85	105	20000	1200
540001060710	LEDDownlightRc-US R175-18W-3000-WH-GP	18	0.5	1440	80	150	20000	960
540001060810	LEDDownlightRc-US R175-18W-4000-WH-GP	18	0.5	1530	85	150	20000	960
540001152100	LEDDownlightRc-US R175-18W-6500-WH-GP	18	0.5	1530	85	150	20000	960
540001061010	LEDDownlightRc-US R200-22W-3000-WH-GP	22	0.5	1760	80	170	20000	960
540001061110	LEDDownlightRc-US R200-22W-4000-WH-GP	22	0.5	1870	85	170	20000	960
540001151600	LEDDownlightRc-US R200-22W-6500-WH-GP	22	0.5	1870	85	170	20000	960

Technical Specifications	
CRI	≥80
Colour Consistency (SDCM)	6
Dimmable	No
Housing Colour	White
IP	IP20
IK	IK02
Driver integrated (Yes/No)	Yes
Glow wire test	650°C
Driver failure rate	1% at 5000h
Weight (pc/kg)	0.044/ 0.059/0.1 0.13/0.19/0.25

Electrical Supply	
Frequency (Hz)	50/60
Voltage (V)	220-240
AC/DC	AC
Mechanical Properties	
Optical Material	PP
Housing Material	PP
Application Conditions	
Operating Temperature	-25-50°C
Application Temperature	25°C
Storage Environment	-25-50°C

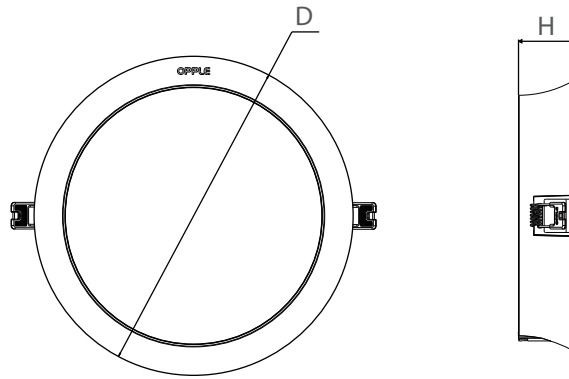
CB



## Packaging Information

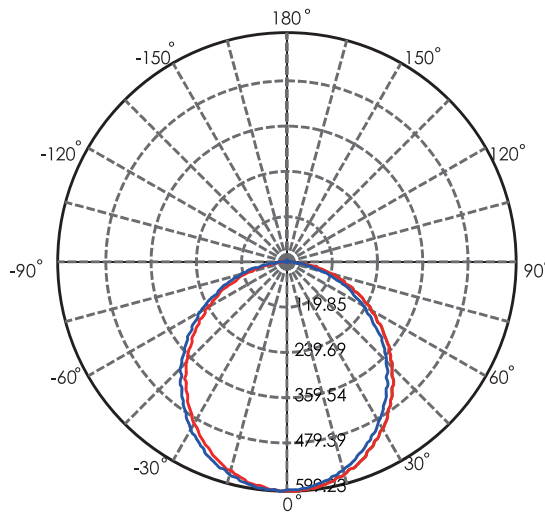
Item		Single Box(1pc/box)		Outer box		
Item Code	Item Description	Dimensions(mm) (LxWxH)	Gross Weight (kg)	Dimensions(mm) (LxWxH)	Gross Weight (kg)	Packing Qty (pcs/CTN)
541003072300	LEDDownlightRc-US R70-4W-3000-WH-GP	102*102*50	0.086	530*320*230	5.16	60
541003072000	LEDDownlightRc-US R70-4W-4000-WH-GP	102*102*50	0.086	530*320*230	5.16	60
540001151700	LEDDownlightRc-US R70-4W-6500-WH-GP	102*102*50	0.086	530*320*230	5.16	60
541003071900	LEDDownlightRc-US R85-6W-3000-WH-GP	115*115*50	0.109	595*360*230	6.54	60
541003072200	LEDDownlightRc-US R85-6W-4000-WH-GP	115*115*50	0.109	595*360*230	6.54	60
540001152000	LEDDownlightRc-US R85-6W-6500-WH-GP	115*115*50	0.109	595*360*230	6.54	60
540001066410	LEDDownlightRc-US R125-9W-3000-WH-GP	155*155*54	0.171	485*325*322	5.13	30
540001066510	LEDDownlightRc-US R125-9W-4000-WH-GP	155*155*54	0.171	485*325*322	5.13	30
540001151900	LEDDownlightRc-US R125-9W-6500-WH-GP	155*155*54	0.171	485*325*322	5.13	30
540001066710	LEDDownlightRc-US R150-12W-3000-WH-GP	180*180*54	0.218	560*375*372	6.54	30
540001066810	LEDDownlightRc-US R150-12W-4000-WH-GP	180*180*54	0.218	560*375*372	6.54	30
540001151800	LEDDownlightRc-US R150-12W-6500-WH-GP	180*180*54	0.218	560*375*372	6.54	30
540001060710	LEDDownlightRc-US R175-18W-3000-WH-GP	202*202*47	0.303	560*375*372	4.848	16
540001060810	LEDDownlightRc-US R175-18W-4000-WH-GP	202*202*47	0.303	560*375*372	4.848	16
540001152100	LEDDownlightRc-US R175-18W-6500-WH-GP	202*202*47	0.303	560*375*372	4.848	16
540001061010	LEDDownlightRc-US R200-22W-3000-WH-GP	232*232*47	0.381	395*245*490	6.096	16
540001061110	LEDDownlightRc-US R200-22W-4000-WH-GP	232*232*47	0.381	395*245*490	6.096	16
540001151600	LEDDownlightRc-US R200-22W-6500-WH-GP	232*232*47	0.381	395*245*490	6.096	16

## Dimensional Drawing



Type	H(mm)	D(mm)	Recessed Cutout(mm)
LED DL-RC-US R70-4W	34	Φ95	Φ70
LED DL-RC-US R85-6W	34	Φ110	Φ85
LED DL-RC-US R125 9W-GP	40	Φ150	Φ125
LED DL-RC-US R150 12W-GP	40	Φ175	Φ150
LED DL-RC-US R175 18W-GP	40	Φ200	Φ175
LED DL-RC-US R200 22W-GP	40	Φ230	Φ200

## Photometric Data



**OPPLE SHANGHAI OFFICE**  
 Building V3, The Mixc, 1799 Wuzhong Road,  
 Minhang District, Shanghai, China  
 ZIP: 201103  
**T** +86 21 3855 0000  
**E** intersales@opple.com

**WWW.OPPLE.COM/EN**